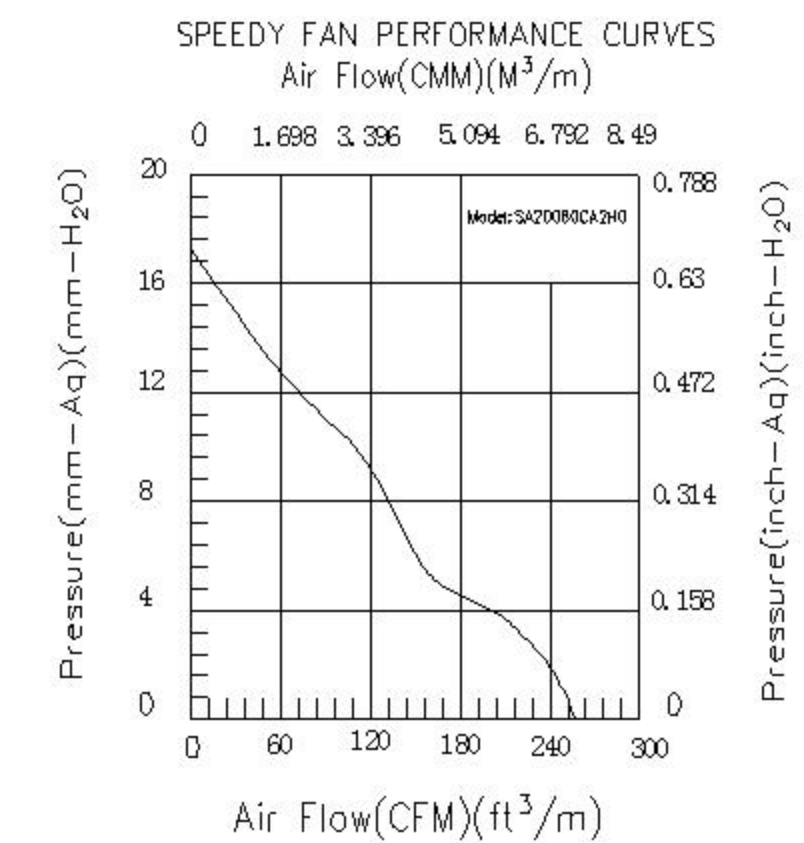
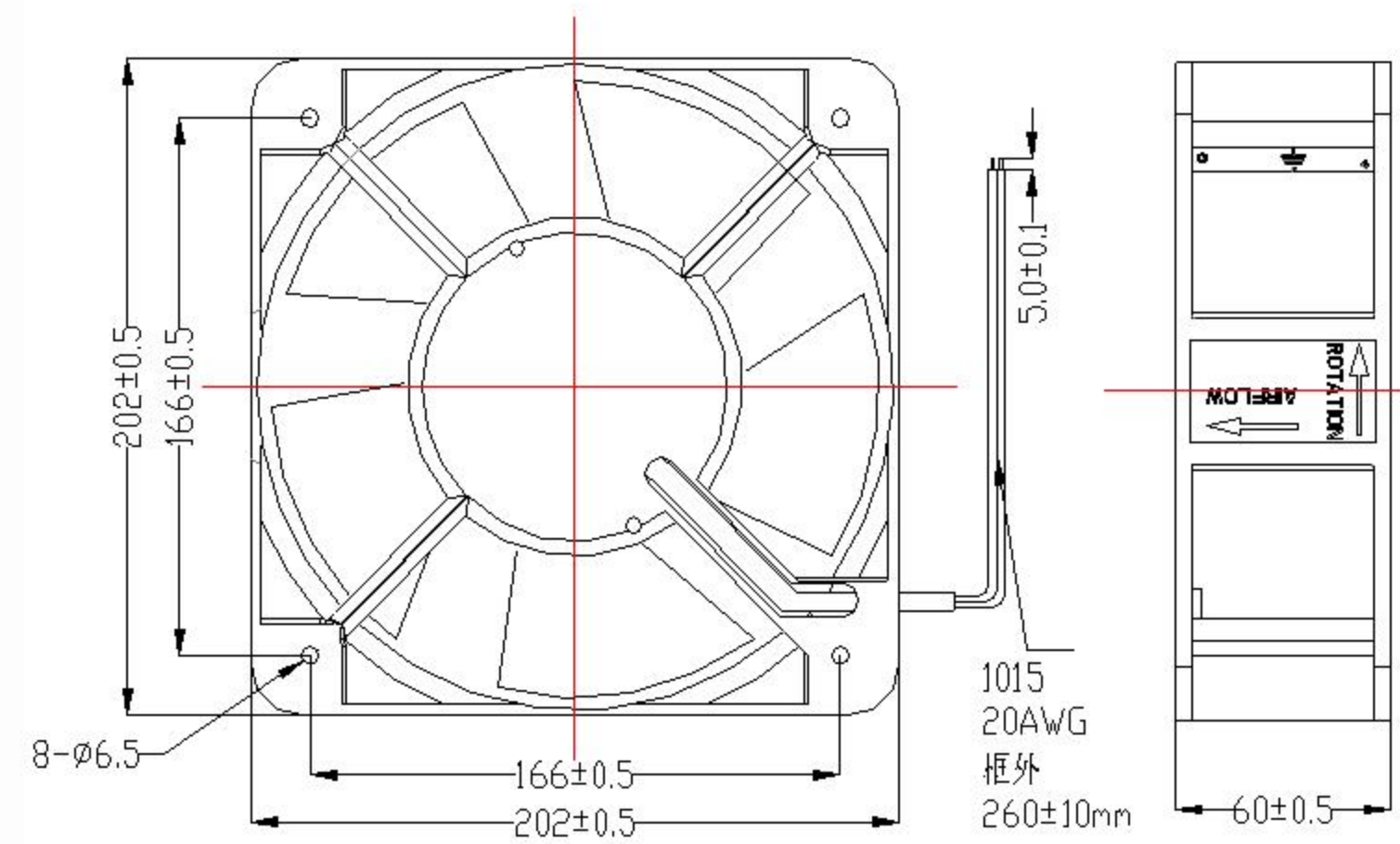


**200 x 200 x 60 mm**



**Frame Type: Aluminum painted & Plastic UL94V-0**  
**Impeller: Thermoplastic UL94V-0 P.B.T.**

Model	Part No. Terminal Leadwire	Bearing System	Rated Voltage (V)	Freq (Hz)	Current (A)	Input Power (W)	Speed (rpm)	Air Flow (CFM)	Air Flow (m <sup>3</sup> /m)	Static Pressure (mm-H <sub>2</sub> O)	Noise Level (dB-A)	Weight (g)
(型號)	(端子/出線)	(培林)	(電壓)	(頻率)	(電流)	(功率)	(轉速)	(風量)	(風量)	(靜壓)	(噪音值)	(重量)
HPE-2060HA1	2060HA1BAT(L)	Ball	110/120	50/60	0.7	50	2500	260	8.49	17.8	61	1700
HPE-2060HA2	2060HA2BAT(L)	Ball	220/240	50/60	0.31	50	2500	260	8.49	17.8	61	1700