

DI-100

24VDC - 13.8VDC
10A / Isolated



DI-250

24VDC - 13.8VDC
25A / Isolated



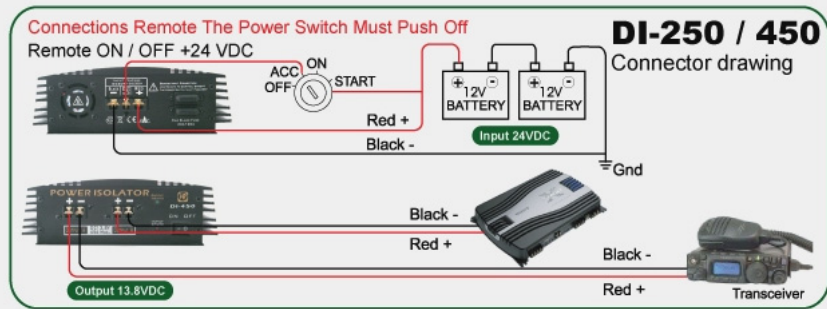
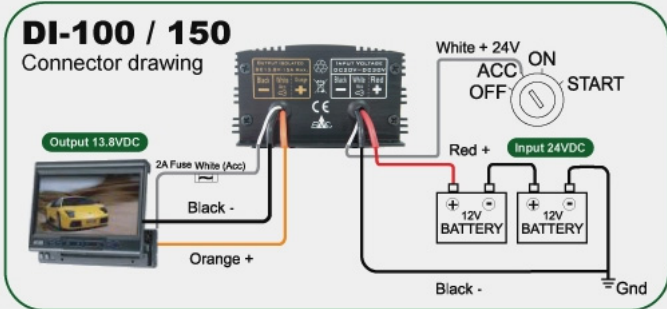
DI-150

24VDC - 13.8VDC
15A / Isolated



DI-450

24VDC - 13.8VDC
45A / Isolated



This Isolated Ground series provide negative / positive ground reference compatibility, allowing connection of negative ground battery system or vice versa. They offer protection level for themselves and to the connected loads. They also offer protection against transient voltages spikes typically encountered on electric forklifts.

Specifications : *Be careful all models without output short circuit protection*

Model	DI-100	DI-150	DI-250	DI-450
Input Voltage Range	24VDC (20VDC ~ 30VDC)			
Output Voltage	13.8V DC \pm 0.1V Isolated Ground			
Max. Output Current	10A	15A	25A	45A
Continuous Current	7A	10A	20A	40A
No Load Input Current	\leq 100mA			
Line Regulation	0.1%			
Load Regulation	0.02%			
Efficiency	Over 85%			
Indicators	Power on LED			
Inputs connection type	Lead Wire + Jack Connector with (ACC Wire)		Terminal with (ON/OFF Remote Connector)	
Output connection type	Lead Wire + Jack Connector with (ACC Wire)		1 Binding Post + 1 Terminal	2 Terminals
Output Fuse	10A in PCB	15A in PCB	20A	25A + 20A
Dimensions W x L x H (mm)	160 x 90 x 50	210 x 90 x 50	180 x 200 x 65	250 x 200 x 70
Weight (kg)	0.5	0.8	1.5	2.5
Cooling System	N.A.	N.A.	Thermally Control Fan	Thermally Control Fan

Product Features :

- Special design and decorous car amplifier heat sink housing
- Less heat dissipation without over-heating problem
- Negative or positive ground reference
- Switching-mode technology (25KHz)
- EMC Interference Immunity
- High efficiency (85%)
- Good load and line regulations
- Wide input voltage range (20V-30V)
- Output OVP & OCP protections
- Output short circuit protection
- Forced air cooling (DI-250 / 450)
- With ACC remote control (DI-100 / 150)
- Power on / off switch

