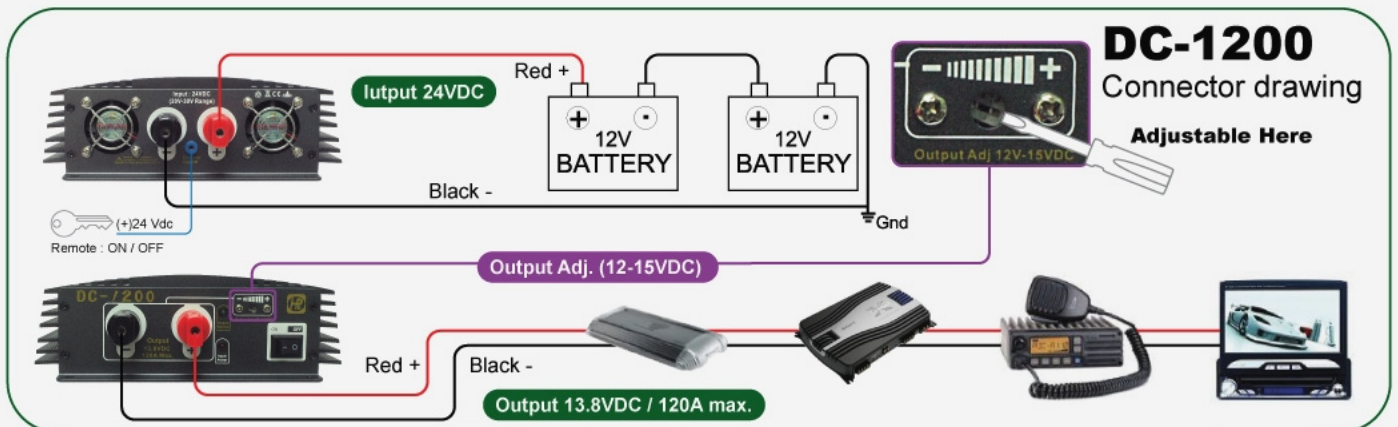


## DC-1200

24VDC - (12VDC ~ 15VDC Adj.)  
Output : 120A Max.



### Specifications :

Model	DC-1200
Input Voltage Range	24VDC (20 - 30V Range)
Output Voltage	13.8VDC (12-15VDC Adj.)
Max. Output Current	120A
Continuous Current	100A
No Load Input Current	≤ 200mA
Line Regulation	0.1%
Load Regulation	0.02%
Output Ripple Noise	100mV (rms)
Efficiency	Over 85%
Indicators	Power on LED
Inputs connection type	100A Binding Post
Output connection type	100A Binding Post
Input cat in blade fuse	20A x 4 build in PCB
Dimensions W x L x H (mm)	190 x 400 x 70
Weight (kg)	3.8
Cooling System	Thermally Control Fan

### Product Features :

- Special design and decorous car aluminum heat sink housing
- Less heat dissipation without over-heating problem
- Switching-mode technology (25KHz)
- High efficiency over (80%)
- Good load and line regulations
- Output over-voltage and current protections (OVP & OCP)
- Output short circuit protection
- Forced air cooling (Thermally Control)
- Power on / off switch
- Input Range (20VDC ~ 30VDC)
- Input Remote ON / OFF (+) 24VDC

