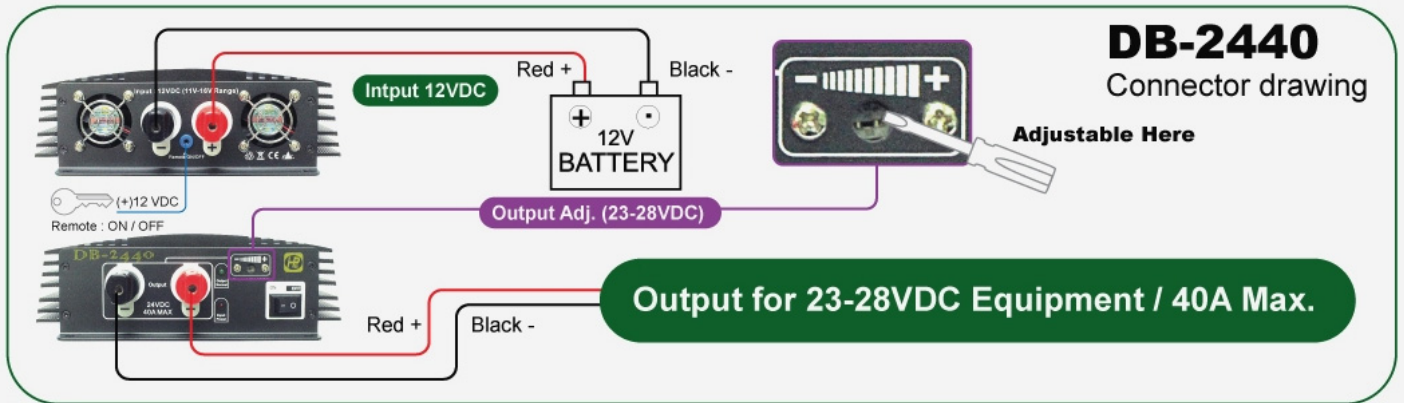


## DB-2440

12VDC - 24VDC - 40A



### Specifications :

Model	DB-2440
Input Voltage Range	12VDC (10V – 16V)
Input Voltage Protections	Input Below 10VDC (Auto Shut Down)
Output Voltage Adjustable	24VDC (23V - 28V Adj.)
Max. Output Current	40A
Continuous Current	35A
No Load Input Current	≤ 250mA
Line Regulation	0.1%
Load Regulation	0.02%
Output Ripple Noise	100mV (rms)
Efficiency	85%
Indicators	Red LED for Input Green LED for Output
Inputs connection type	100A Red & Black Binding Post
Output connection type	100A Red & Black Binding Post
Input Fuse Type Car blade	30A x 5 PCS build in PCB
Dimensions L x W x H (mm)	400 x 200 x 70
Weight (kg)	4
Cooling System	Thermally Control Fan

### Product Features :

- Special design and decorous car amplifier heat sink housing
- Less heat dissipation without over-heating problem
- Switching-mode technology (25KHz)
- High efficiency over (85%)
- Good load and line regulations
- Wide input voltage range
- Output over-voltage and current protections (OVP & OCP)
- Output current limit
- Forced air cooling
- Key remote control (ON / OFF)
- Power on / off switch

